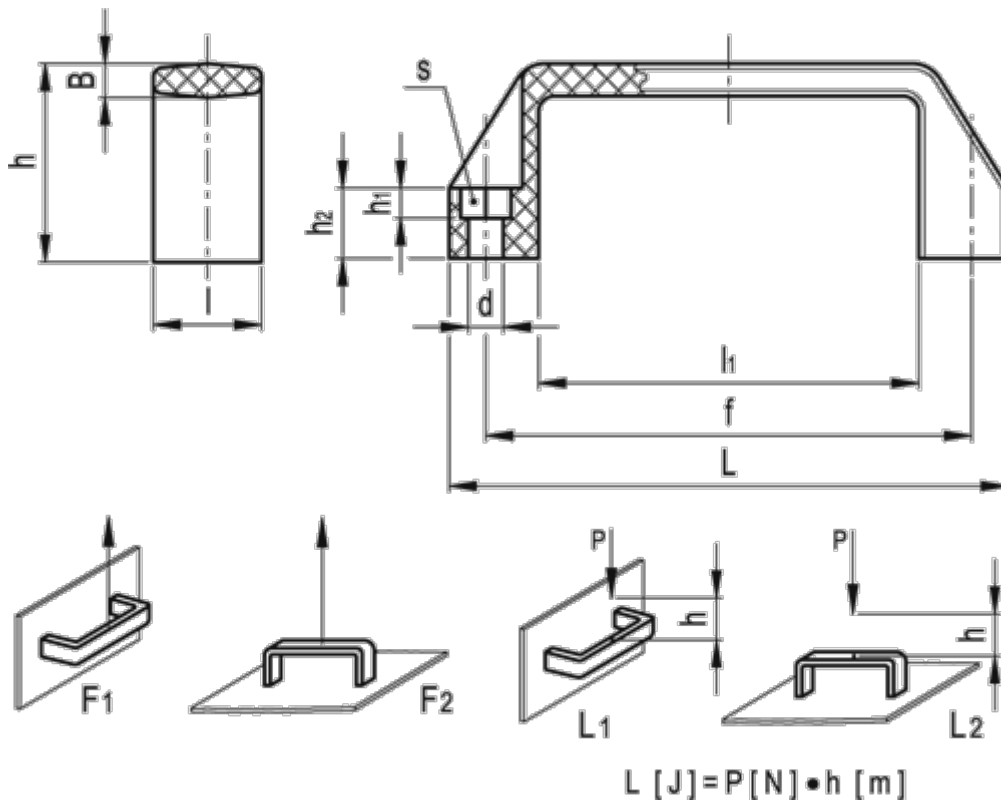


# Data Sheet



Article number: 2304037037  
 Description: E+G U-handle  
 M.443/110-EH-5

## Measures



B	= 6	l	= 21
d	= 5.5	L	= 109
f	= 93,5 +/-0,5	l1	= 74
F1 (N)	= 3500	L1 (J)	= 15
F2 (N)	= 2500	L2 (J)	= 8
h	= 38	s	= 8
h1	= 6.0	Weight (g)	= 27
h2	= 13		